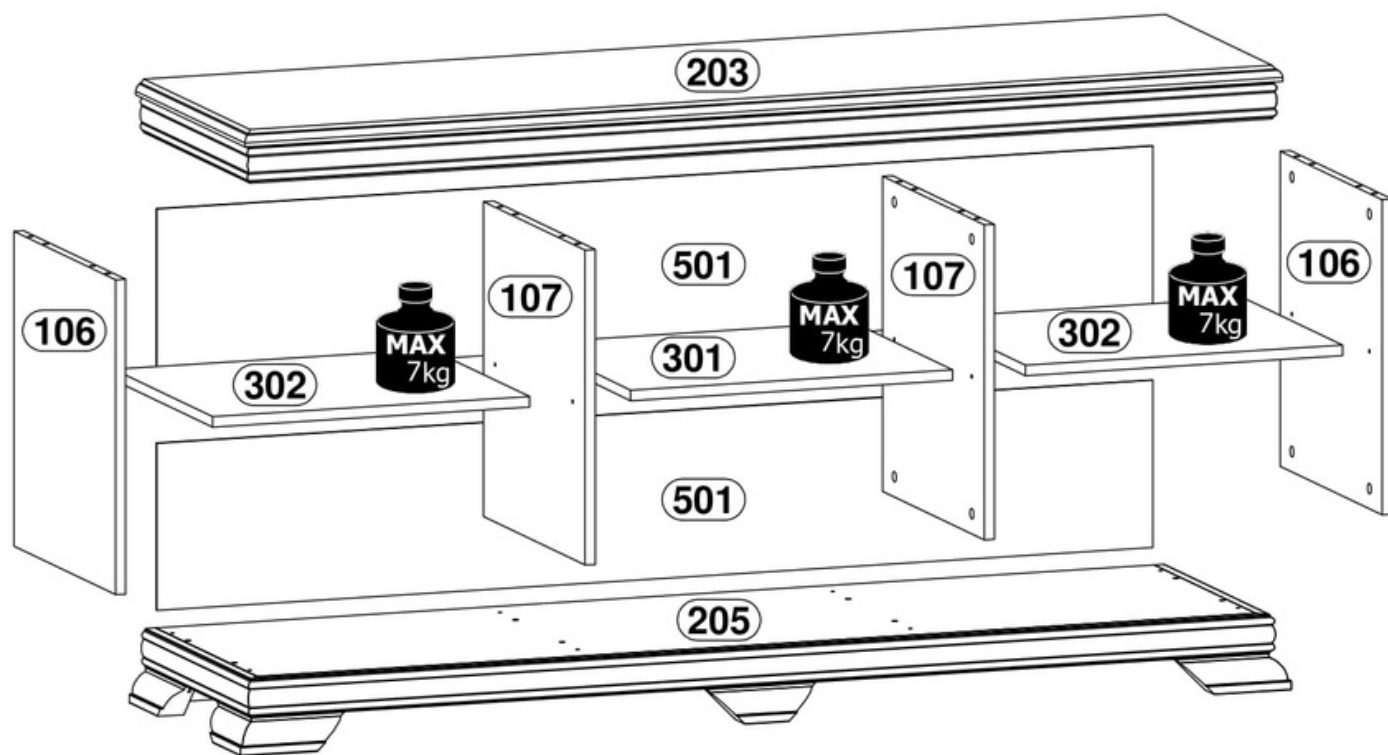
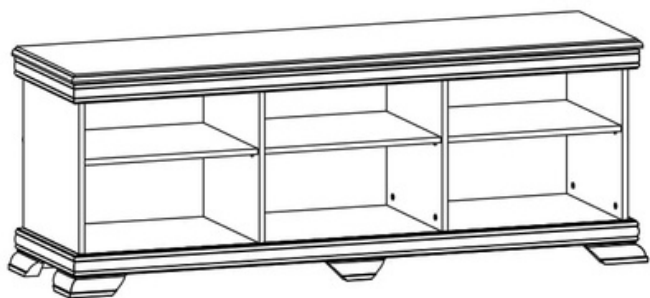
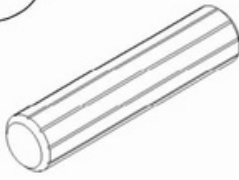




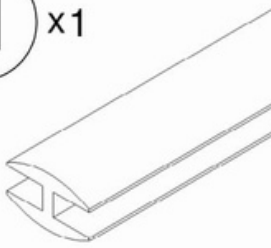



KORA GT

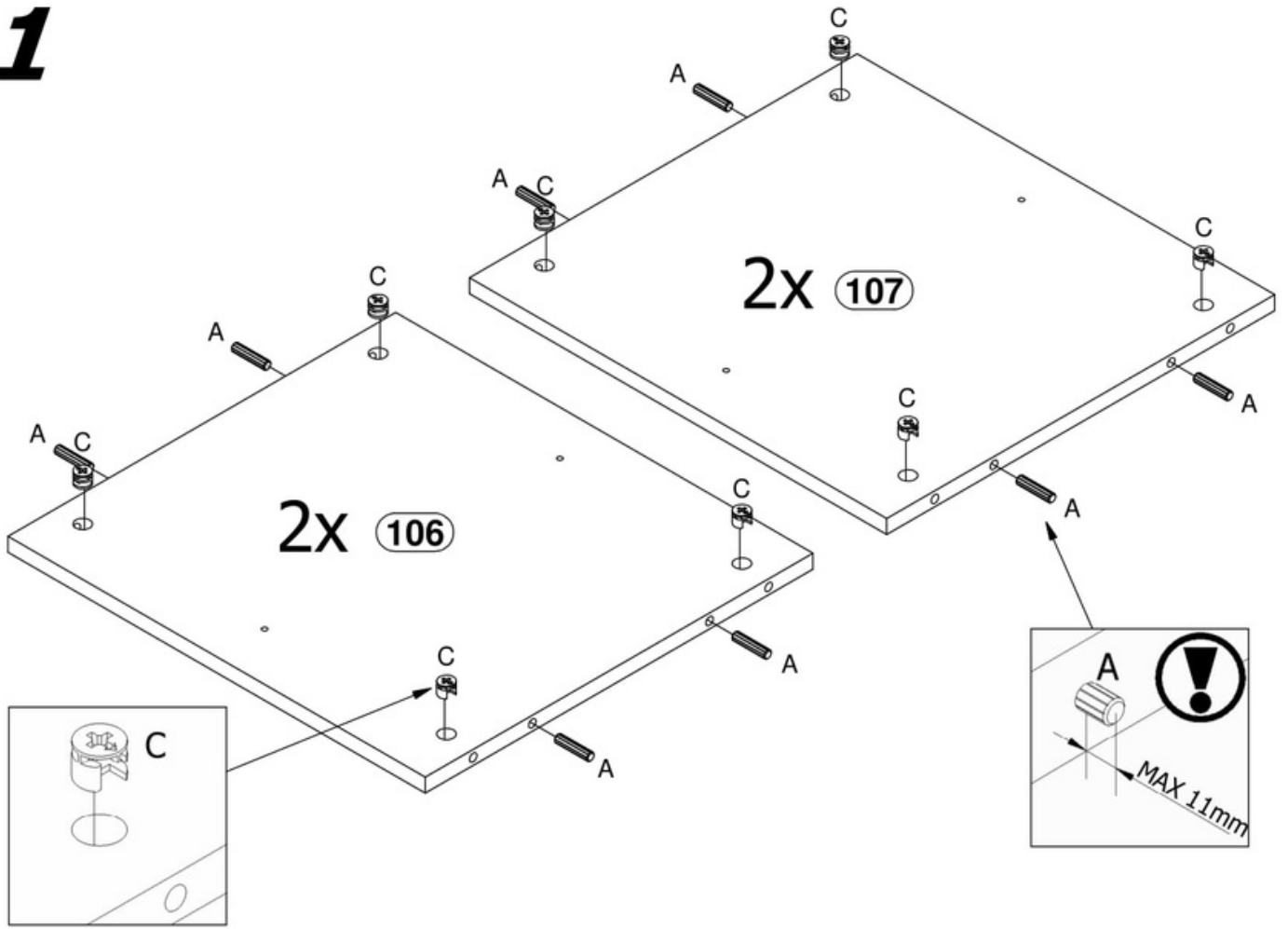


BÚTORPIAC

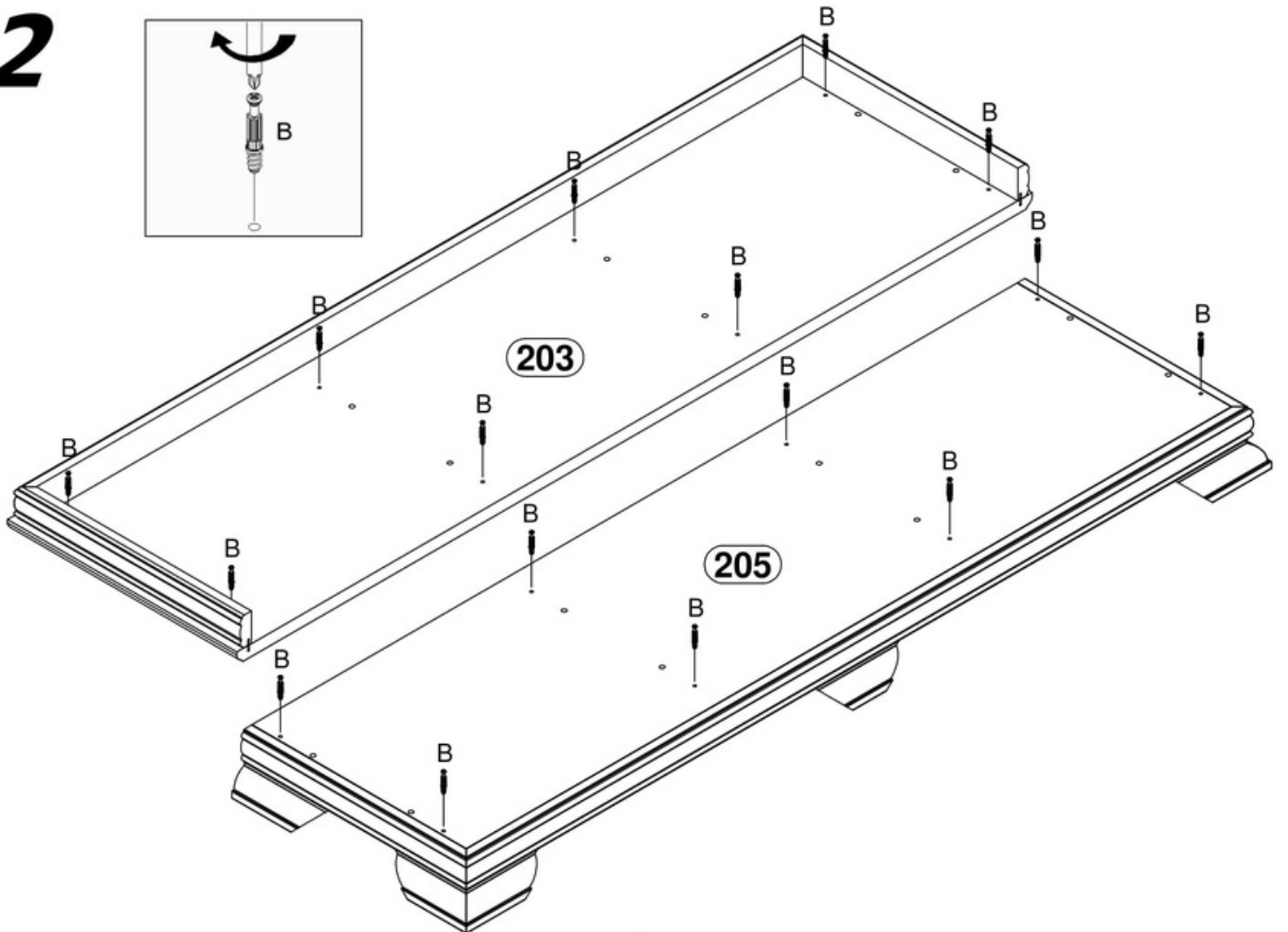


<p>A x16</p>  <p>Ø8x35mm</p>	<p>B x16</p> 	<p>C x16</p>  <p>Ø15x12mm</p>	<p>E x12</p> 
<p>G x38</p> 	<p>H x1</p>  <p>1497 mm</p>	<p>Y x16</p>  <p>Ø18 mm</p>	

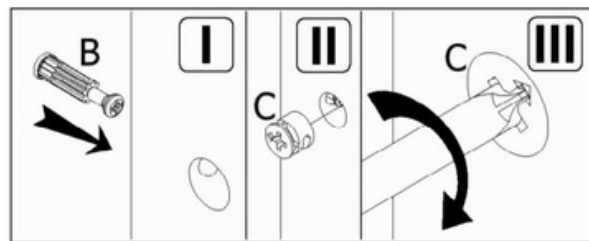
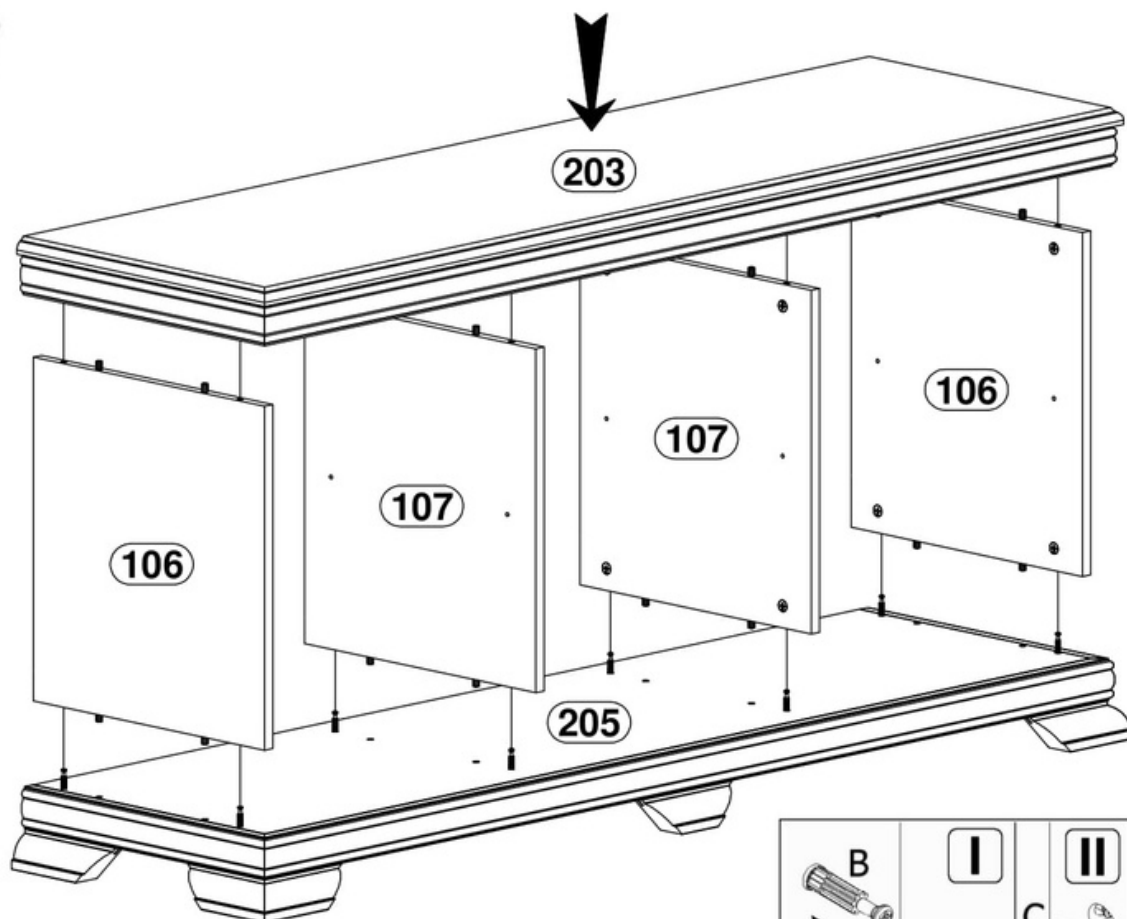
1



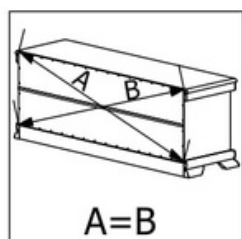
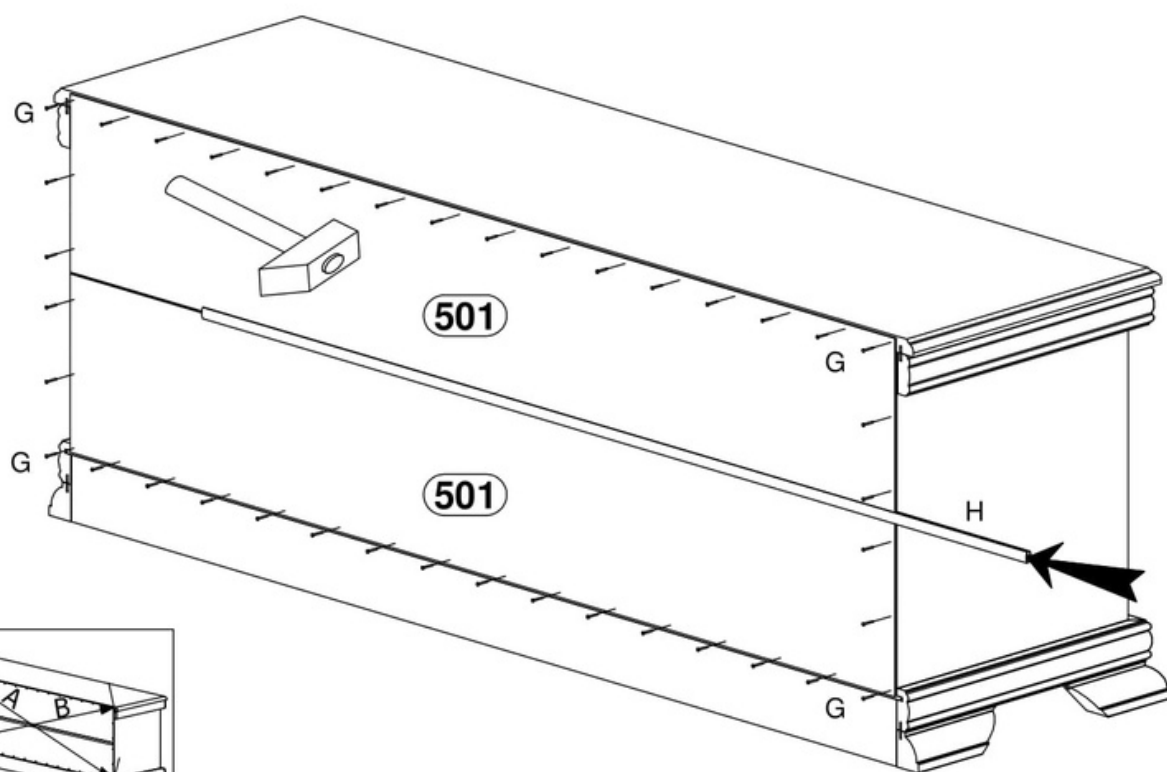
2



3



4



5

